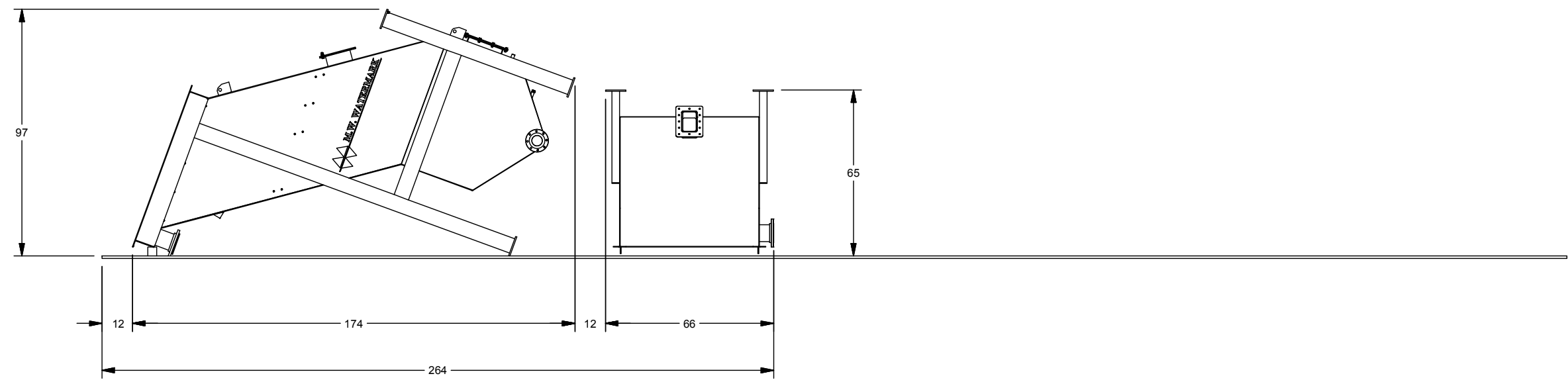
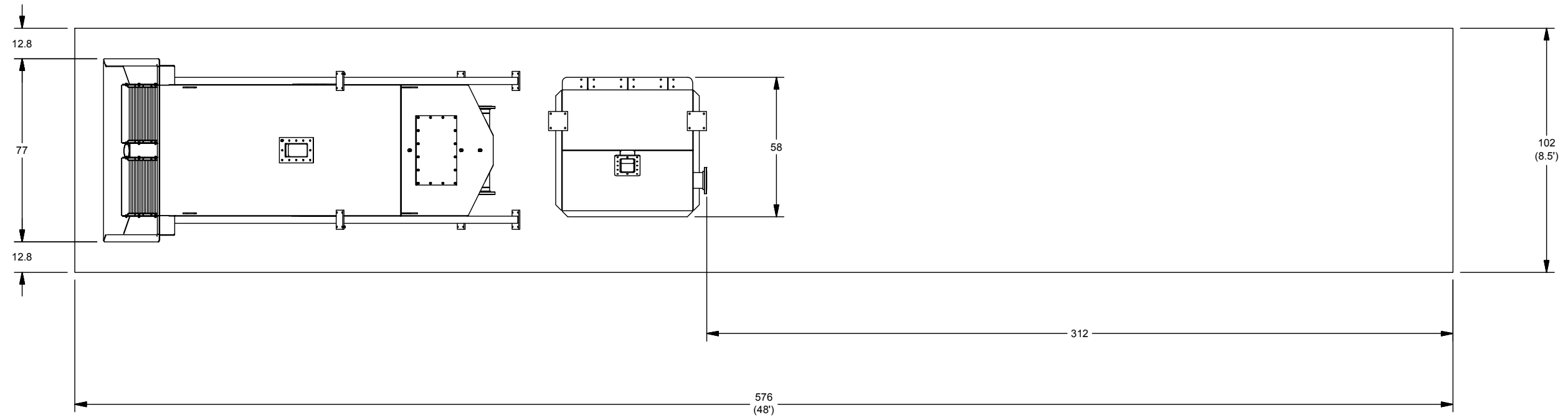


8 7 6 5 4 3 2 1



THIRD ANGLE PROJECTION  
  
 ALL WELD SYMBOL SIZES ARE MINIMUM REQUIRED DIMENSIONS IN (mm) ARE MILLIMETERS. DO NOT SCALE DRAWING. DRAWN PER ASME Y14.5-2009

UNLESS OTHERWISE SPECIFIED ALL DIMENSIONS ARE IN INCHES AND TOLERANCES TO BE AS FOLLOWS.

FABRICATION	MACHINE
XX ± .06	XX ± .03
[X ± 2]	[X ± 1]
< ± 2	[X ± .1]
	< ± 1"

REV	DESCRIPTION	DATE	BY	ECN	REV	DESCRIPTION	DATE	BY	ECN

COMPANY CONFIDENTIAL  
 THIS DOCUMENT AND ALL INFORMATION CONTAINED HEREIN ARE THE PROPERTY OF M.W. WATERMARK AND/OR ITS AFFILIATES. THE DESIGN CONCEPTS AND INFORMATION CONTAINED HEREIN ARE PROPRIETARY TO M.W. WATERMARK AND ARE SUBMITTED IN CONFIDENCE. THEY ARE NOT TRANSFERABLE AND MUST BE USED ONLY FOR THE PURPOSE FOR WHICH THE DOCUMENT IS EXPRESSLY LOANED. THEY MUST NOT BE DISCLOSED, REPRODUCED, LOANED OR USED IN ANY OTHER MANNER WITHOUT THE EXPRESS WRITTEN CONSENT OF M.W. WATERMARK. WHOEVER SHALL BE USED IN ANY MANNER DETRIMENTAL TO THE INTEREST OF M.W. WATERMARK, ALL PATENT RIGHTS ARE RESERVED. UPON THE DEMAND OF M.W. WATERMARK, THIS DOCUMENT, ALONG WITH ALL COPIES AND EXTRACTS, AND ALL RELATED NOTES AND ANALYSES, MUST BE RETURNED TO M.W. WATERMARK OR DESTROYED, AS INSTRUCTED BY M.W. WATERMARK. ACCEPTANCE OF THE DELIVERY OF THIS DOCUMENT CONSTITUTES AGREEMENT TO THESE TERMS AND CONDITIONS.

DWG BY: JWC  
 DATE: 11/27/2017  
 CKD BY: DATE  
 FILE: SPC-150 Shipping  
 SALES ORDER NUM: Dims MWW.idw  
 SCALE:

TITLE	CLIENT		
<b>M.W. WATERMARK LLC</b> <a href="http://www.mwwatermark.com">www.mwwatermark.com</a>			
SERIAL NUMBER	DRAWING NUMBER	SHEET	REV
	SPC-150 Shipping Dims MWW	1 OF 1	