

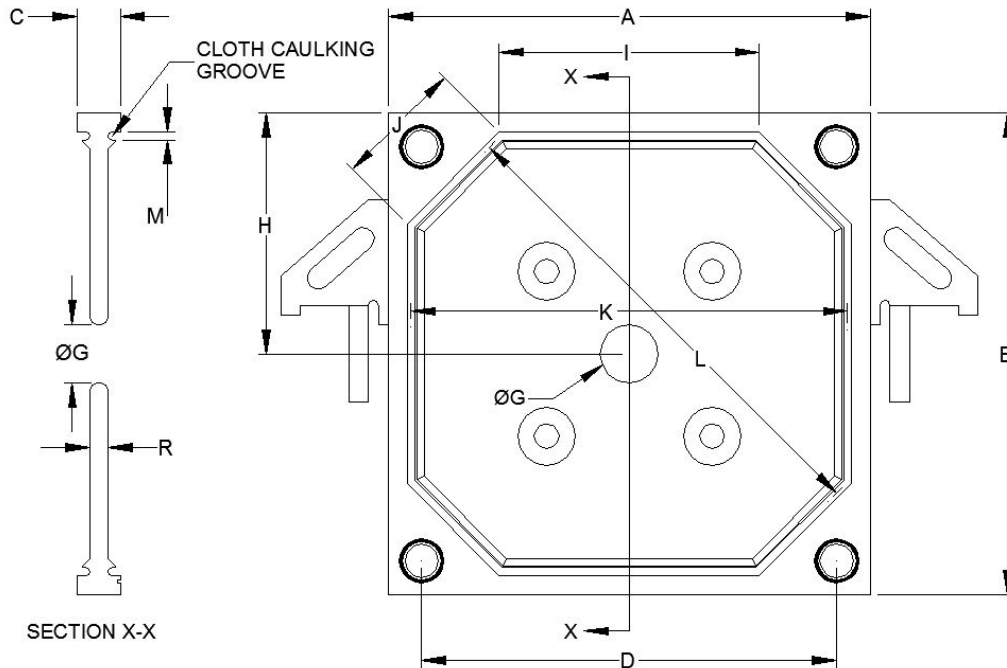


# M.W. WATERMARK, L.L.C

4660 136<sup>th</sup> Avenue, Holland, MI 49424  
[www.mwwatermark.com](http://www.mwwatermark.com)

Office 616.399.8850  
 Fax 616.399.8860

## CGR FILTER CLOTH QUESTIONNAIRE



Dim	Description	Metric (mm)	Imperial (inch)
A	Plate Width		
B	Plate Height		
C	Plate Thickness		
D	Corner Hole Horizontal Center to Center Distance		
G	Feed Hole Diameter Select One: <input type="checkbox"/> Corner <input type="checkbox"/> Center		
H	Feed Hole Distance to Top of Plate		
I	Cloth Groove Horizontal Segment Outside Edge to Outside Edge Distance		
J	Cloth Groove Diagonal Segment Outside Edge to Outside Edge Distance		
K	Cloth Groove Outside Edge to Outside Edge Distance		
L	Diagonal Cloth Groove Center to Center Distance		
M	Cloth Groove Width		
R	Web Thickness (Including "Pips")		

Please enter contact information below:	
Company:	
Contact Name:	
Telephone:	
Email:	
Address:	
City / State / ZIP:	

Enter filter press information below:	
T	Press Make:
U	Feed Pressure:
V	Cake Thickness:
Y	Cloth Material:
Cloth Qty Intermediate:	
Cloth Qty End:	

M.W. WATERMARK, L.L.C. – Resources For All of Your Water & Wastewater Needs  
 Service • Experience • Expertise • Savings