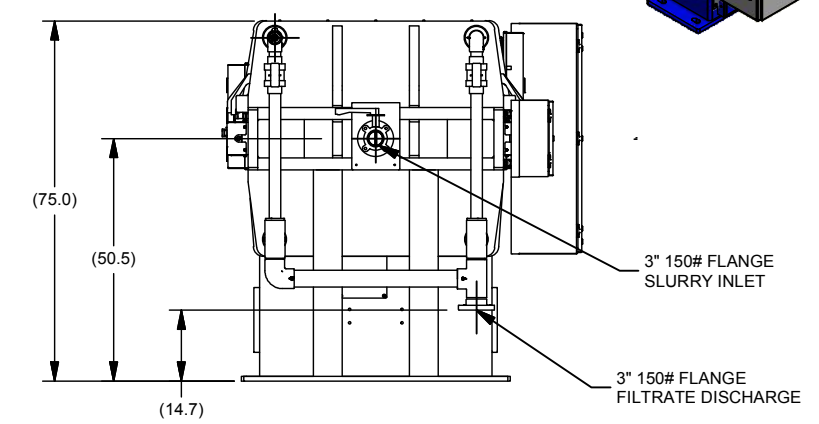
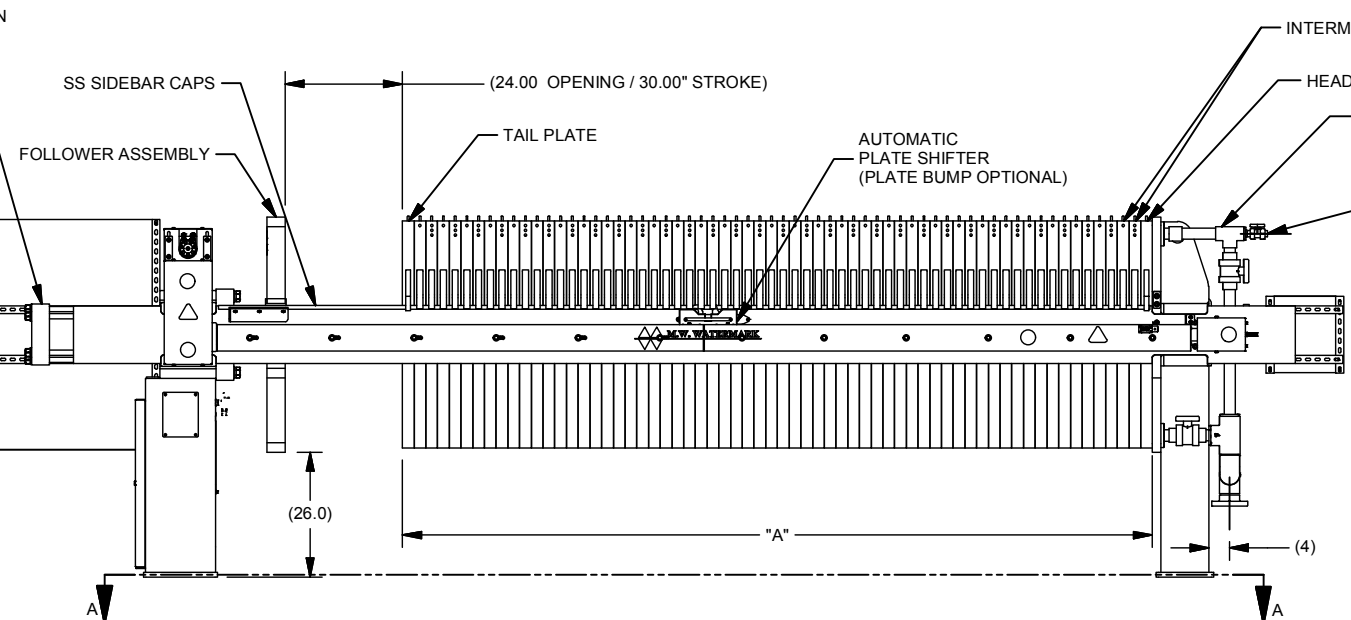
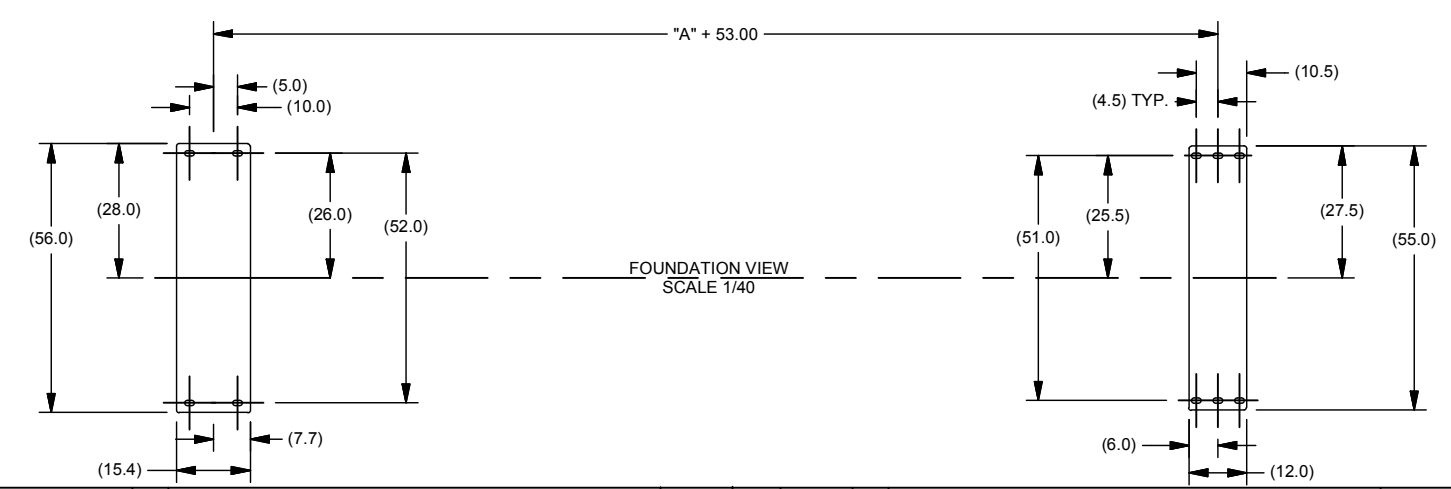


RIGHT HAND CONTROLS SHOWN
LH AVAILABLE
UPON REQUEST

10" X 30"
HYDRAULIC CYLINDER
STYLE 55



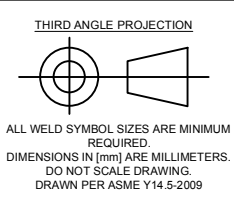
SECTION B-B
SCALE 1/40



FOUNDATION VIEW
SCALE 1/40

DRAWING FOR REFERENCE ONLY

NOTE:
"A" DIMENSION INCLUDES PLATE STACK &
OPTIONAL EXPANSION PIECE
DRAWING TOLERANCE ±1.00



UNLESS OTHERWISE SPECIFIED
ALL DIMENSIONS ARE IN INCHES
AND TOLERANCES TO BE AS FOLLOWS.

FABRICATION	MACHINE
XX ± .06	XX ± .03
[X ± 2]	XXX ± .005
< ± 2	[X ± 1]
	[X ± .1]
	< ± 1"

REV	DESCRIPTION	DATE	BY	ECN	REV	DESCRIPTION	DATE	BY	ECN

COMPANY CONFIDENTIAL
THIS DOCUMENT AND ALL INFORMATION CONTAINED
HEREIN ARE THE PROPERTY OF M.W. WATERMARK AND/OR ITS
AFFILIATES. THE DESIGN CONCEPTS AND INFORMATION
CONTAINED HEREIN ARE PROPRIETARY TO M.W. WATERMARK
AND ARE SUBMITTED IN CONFIDENCE. THEY ARE
NOT TRANSFERABLE AND MUST BE USED ONLY FOR
THE PURPOSE FOR WHICH THE DOCUMENT IS
EXPRESSLY LOANED. THEY MUST NOT BE DISCLOSED,
REPRODUCED, LOANED OR USED IN ANY OTHER
MANNER WITHOUT THE EXPRESS WRITTEN CONSENT
OF M.W. WATERMARK. WHOEVER SHALL THEY BE USED IN ANY
MANNER DETRIMENTAL TO THE INTEREST OF M.W. WATERMARK,
ALL PATENT RIGHTS ARE RESERVED. UPON THE DEMAND
OF M.W. WATERMARK, THIS DOCUMENT, ALONG WITH ALL COPIES
AND EXTRACTS, AND ALL RELATED NOTES AND
ANALYSES, MUST BE RETURNED TO M.W. WATERMARK OR
DESTROYED, AS INSTRUCTED BY M.W. WATERMARK. ACCEPTANCE
OF THE DELIVERY OF THIS DOCUMENT CONSTITUTES
AGREEMENT TO THESE TERMS AND CONDITIONS.

DWG BY JJB	DATE 5/14/2018
CKD BY	DATE
FILE: 40032573.idw	
SALES ORDER NUM:	
SCALE: NONE	

TITLE DRAWING SPECIFICATIONS FOR FP1200 W/AS	CLIENT
 M.W. WATERMARK LLC www.mwwatermark.com	
SERIAL NUMBER 40032573	DRAWING NUMBER 40032573
SHEET 1 OF 1	REV 00