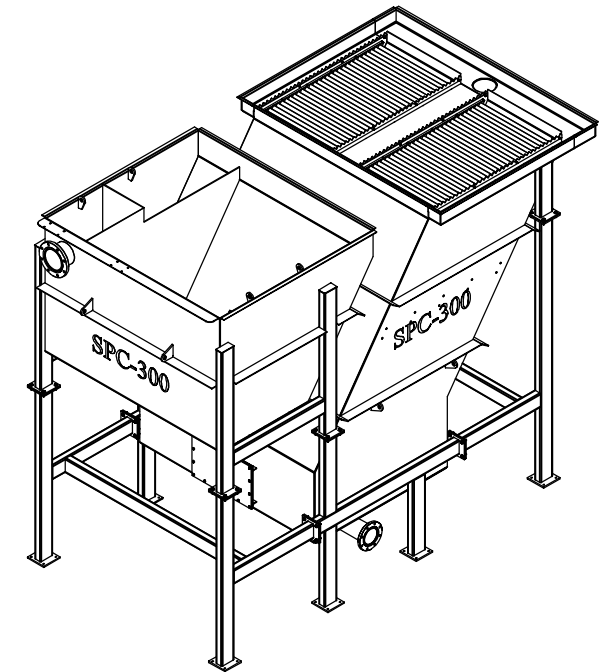
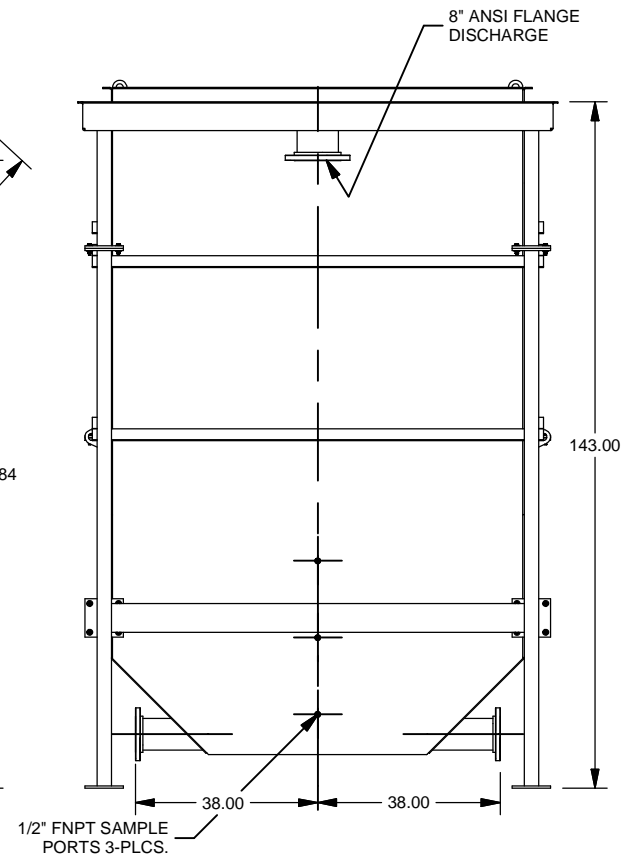
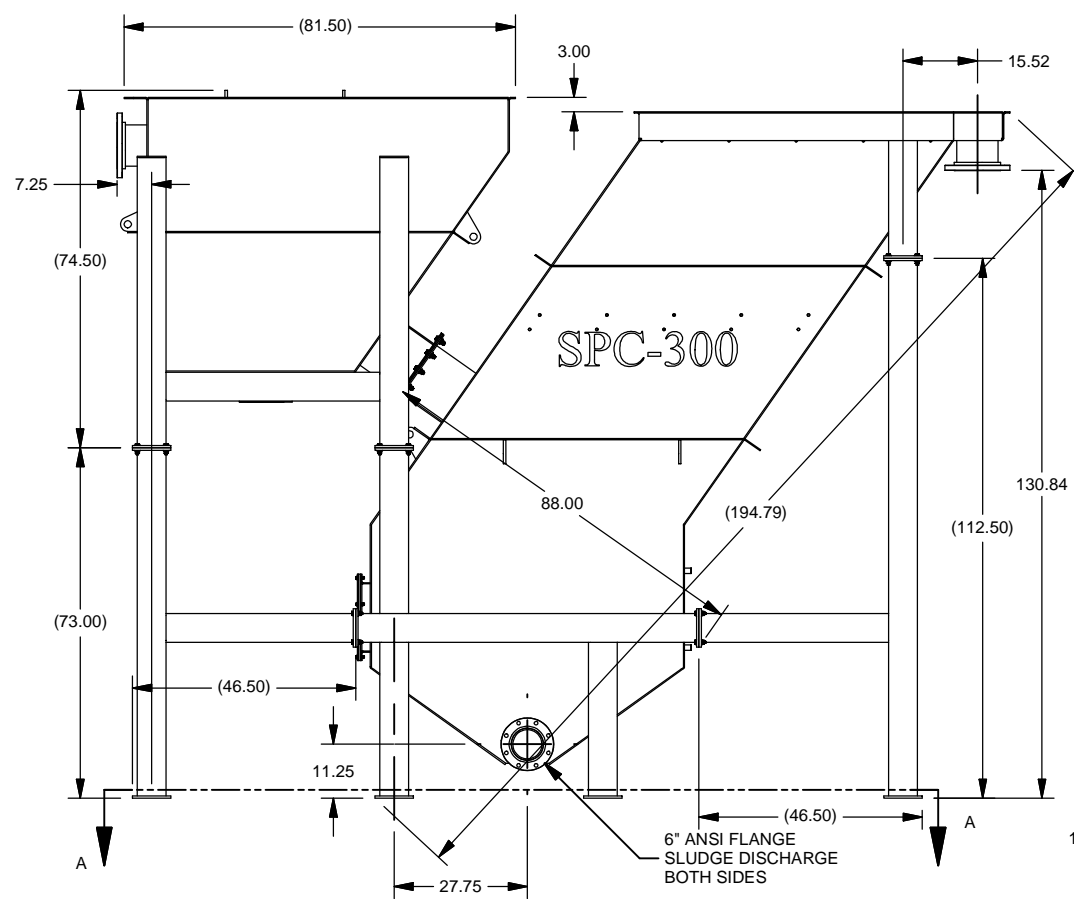
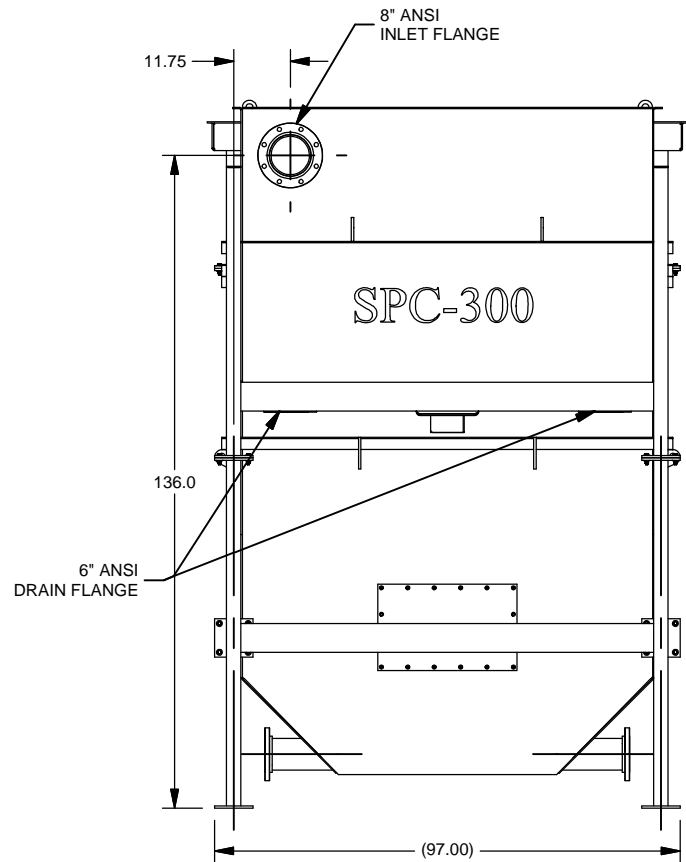
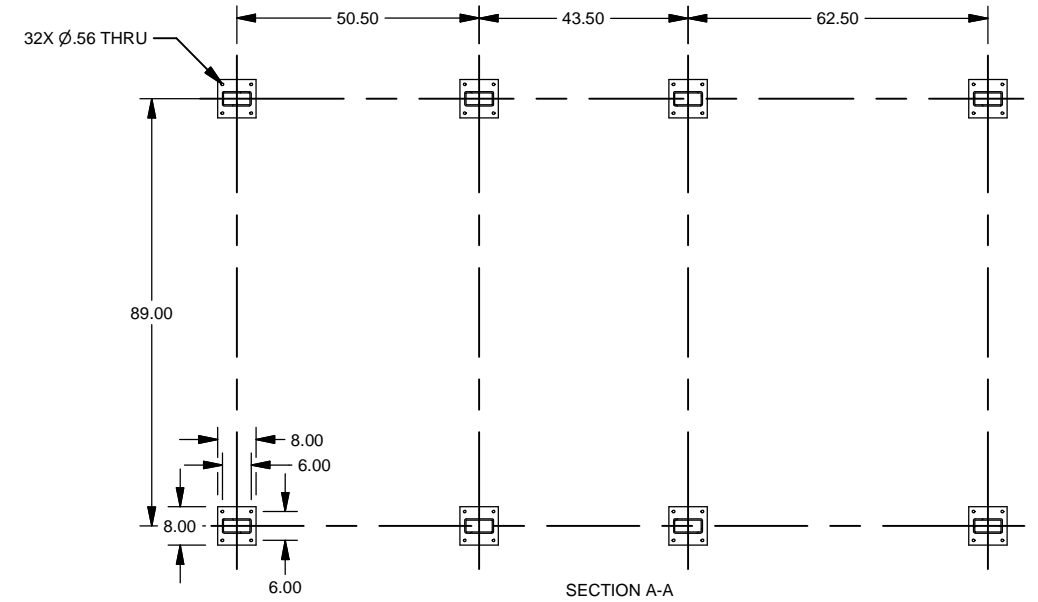
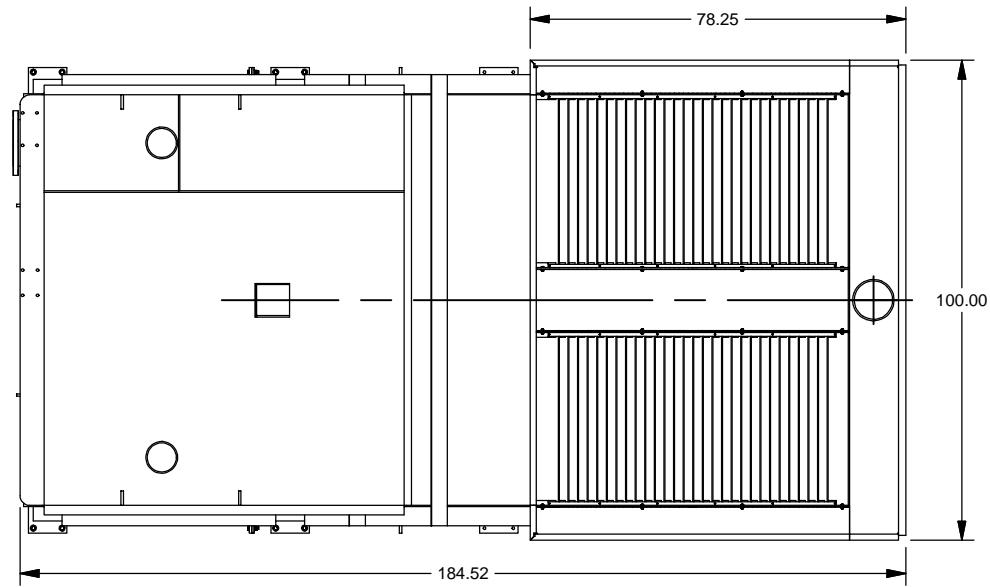


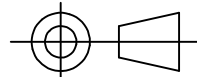
DRAWING FOR REFERENCE ONLY



MAIN TANK WEIGHT: 5600#
 FLOC TANK WEIGHT: 2950#
 LEG WELDMENT WEIGHT: 650#
 PVC PLATES WEIGHT: 2436#

APPROXIMATE SHIPPING WEIGHT: 11,636 LBS
 APPROXIMATE OPERATING WEIGHT: 58,300 LBS

THIRD ANGLE PROJECTION



ALL WELD SYMBOL SIZES ARE MINIMUM REQUIRED.
 DIMENSIONS IN [mm] ARE MILLIMETERS.
 DO NOT SCALE DRAWING.
 DRAWN PER ASME Y14.5-2009

UNLESS OTHERWISE SPECIFIED ALL DIMENSIONS ARE IN INCHES AND TOLERANCES TO BE AS FOLLOWS.

FABRICATION	MACHINE
.XX ± .06	.XX ± .03
[X ± 2]	.XXX ± .005
< ± 2"	[X ± 1]
	< ± 1"

REV	DESCRIPTION	DATE	BY	ECN	REV	DESCRIPTION	DATE	BY	ECN

COMPANY CONFIDENTIAL
 THIS DOCUMENT AND ALL INFORMATION CONTAINED HEREIN ARE THE PROPERTY OF M.W. WATERMARK AND/OR ITS AFFILIATES. THE DESIGN CONCEPTS AND INFORMATION CONTAINED HEREIN ARE PROPRIETARY TO M.W. WATERMARK AND ARE SUBMITTED IN CONFIDENCE. THEY ARE NOT TRANSFERABLE AND MUST BE USED ONLY FOR THE PURPOSE FOR WHICH THE DOCUMENT IS EXPRESSLY LOANED. THEY MUST NOT BE DISCLOSED, REPRODUCED, LOANED OR USED IN ANY OTHER MANNER WITHOUT THE EXPRESS WRITTEN CONSENT OF M.W. WATERMARK. IN NO EVENT SHALL THEY BE USED IN ANY MANNER DETRIMENTAL TO THE INTEREST OF M.W. WATERMARK. ALL PATENT RIGHTS ARE RESERVED. UPON THE DEMAND OF M.W. WATERMARK, THIS DOCUMENT, ALONG WITH ALL COPIES AND EXTRACTS, AND ALL RELATED NOTES AND ANALYSES, MUST BE RETURNED TO M.W. WATERMARK OR DESTROYED AS INSTRUCTED BY M.W. WATERMARK. ACCEPTANCE OF THE DELIVERY OF THIS DOCUMENT CONSTITUTES AGREEMENT TO THESE TERMS AND CONDITIONS.

DWG BY: S.J.G.	DATE: 9/19/2016	TITLE: SPC-300 SLANT PLATE CLARIFIER 300 GPM
CKD BY:	DATE:	CLIENT:
FILE: 40025312.idw	SALES ORDER NUM:	
M.W. WATERMARK L.L.C. www.mwwatermark.com		
SCALE: NONE	SERIAL NUMBER	DRAWING NUMBER: 40025312
	SHEET: 1 OF 1	REV: 00