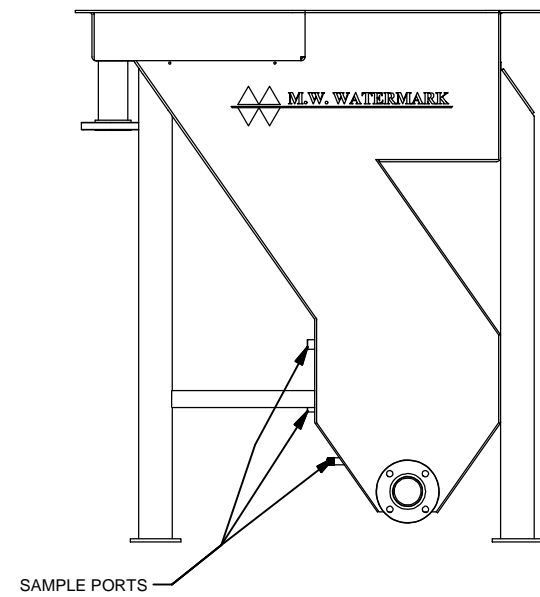
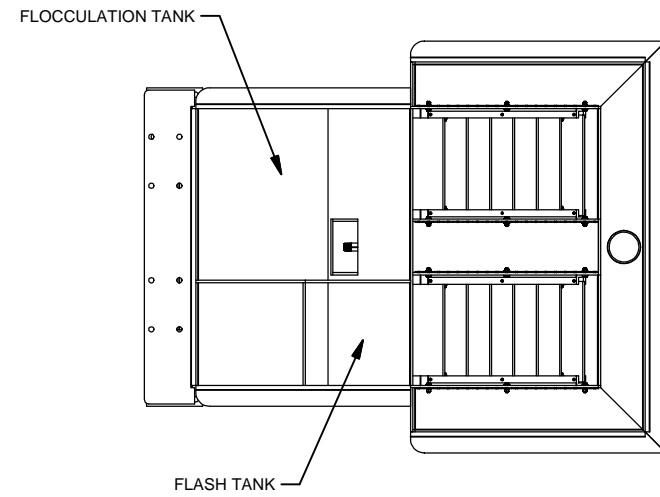


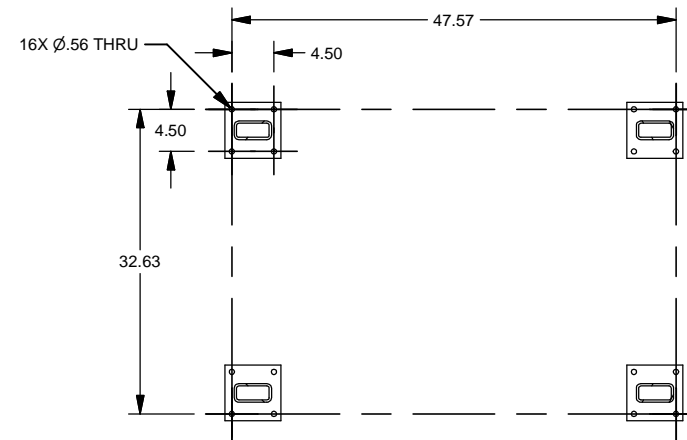
DRAWING FOR REFERENCE ONLY



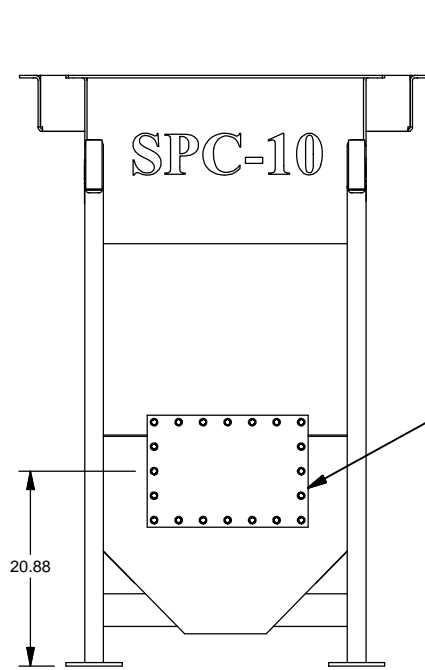
BACK-SIDE-VIEW



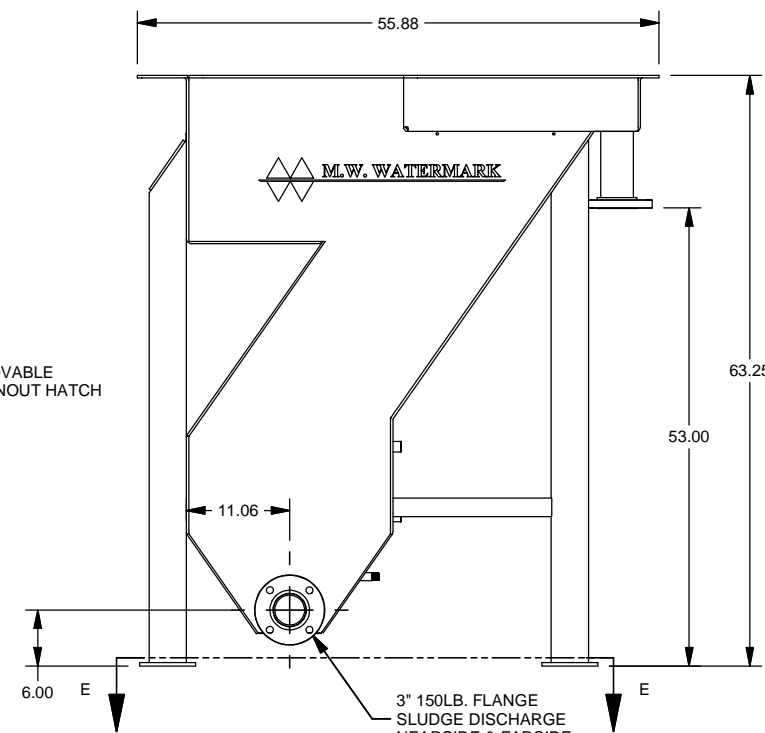
TOP-VIEW



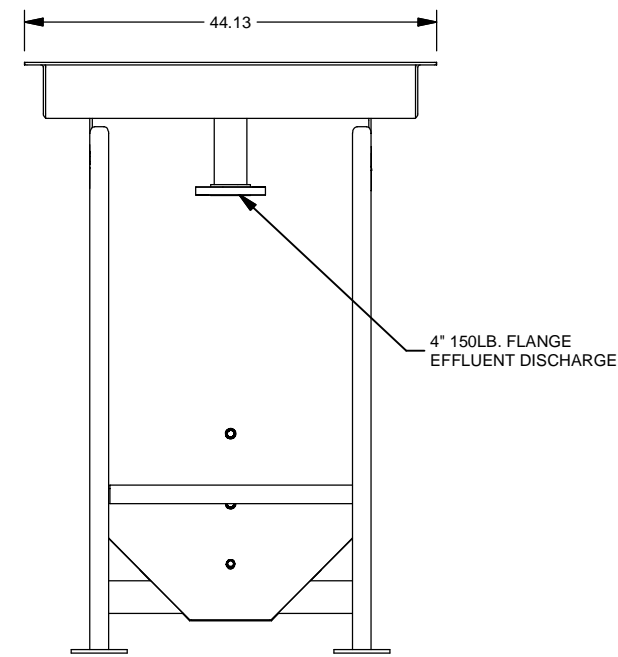
SECTION E-E



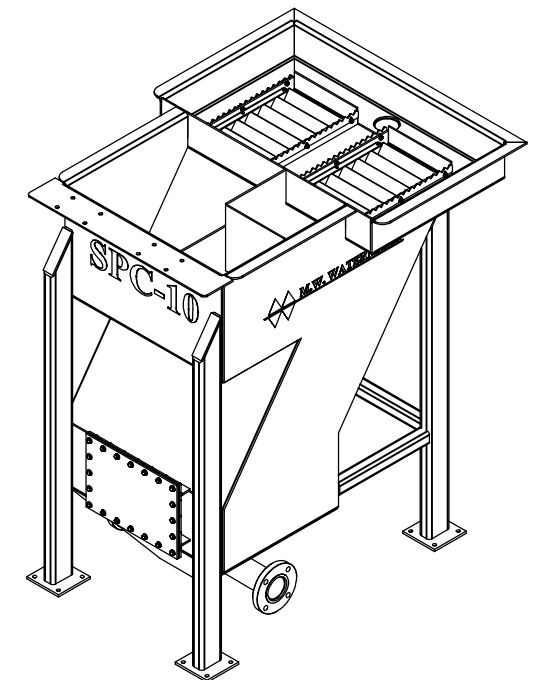
LEFT-SIDE VIEW



FRONT-VIEW



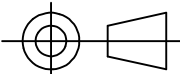
RIGHT-SIDE VIEW



ISO-VIEW

APPROXIMATE WEIGHT: 1,650 LBS

THIRD ANGLE PROJECTION



ALL WELD SYMBOL SIZES ARE MINIMUM REQUIRED
DIMENSIONS IN (mm) ARE MILLIMETERS.
DO NOT SCALE DRAWING.
DRAWN PER ASME Y14.5-2009

UNLESS OTHERWISE SPECIFIED ALL DIMENSIONS ARE IN INCHES AND TOLERANCES TO BE AS FOLLOWS.

FABRICATION	MACHINE
.XX ± .06	.XX ± .03
[X ± 2]	.XXX ± .005
< ± 2"	[X ± 1]
	[X ± .1]
	< ± 1"

REV	DESCRIPTION	DATE	BY	ECN	REV	DESCRIPTION	DATE	BY	ECN

COMPANY CONFIDENTIAL
THIS DOCUMENT AND ALL INFORMATION CONTAINED HEREIN ARE THE PROPERTY OF M.W. WATERMARK AND/OR ITS AFFILIATES. THE DESIGN CONCEPTS AND INFORMATION CONTAINED HEREIN ARE PROPRIETARY TO M.W. WATERMARK AND ARE SUBMITTED IN CONFIDENCE. THEY ARE NOT TRANSFERABLE AND MUST BE USED ONLY FOR THE PURPOSE FOR WHICH THE DOCUMENT IS EXPRESSLY LOANED. THEY MUST NOT BE DISCLOSED, REPRODUCED, LOANED OR USED IN ANY OTHER MANNER WITHOUT THE EXPRESS WRITTEN CONSENT OF M.W. WATERMARK. IN NO EVENT SHALL THEY BE USED IN A MANNER DETRIMENTAL TO THE INTEREST OF M.W. WATERMARK. ALL PATENT RIGHTS ARE RESERVED. UPON THE DEMAND OF M.W. WATERMARK, THIS DOCUMENT, ALONG WITH ALL COPIES AND EXTRACTS, AND ALL RELATED NOTES AND ANALYSES, MUST BE RETURNED TO M.W. WATERMARK OR DESTROYED, AS INSTRUCTED BY M.W. WATERMARK. ACCEPTANCE OF THE DELIVERY OF THIS DOCUMENT CONSTITUTES AGREEMENT TO THESE TERMS AND CONDITIONS.

DWG BY	DATE
TMZ	10/29/2014
CKD BY	DATE
FILE:	40019545.idw
SALES ORDER NUM:	
SCALE:	NONE

TITLE	SPC-10 SLANT PLATE CLARIFIER 10 GPM		
CLIENT			
 M.W. WATERMARK L.L.C. www.mwwatermark.com			
SERIAL NUMBER	DRAWING NUMBER	SHEET	REV
	40019545	1 OF 1	00