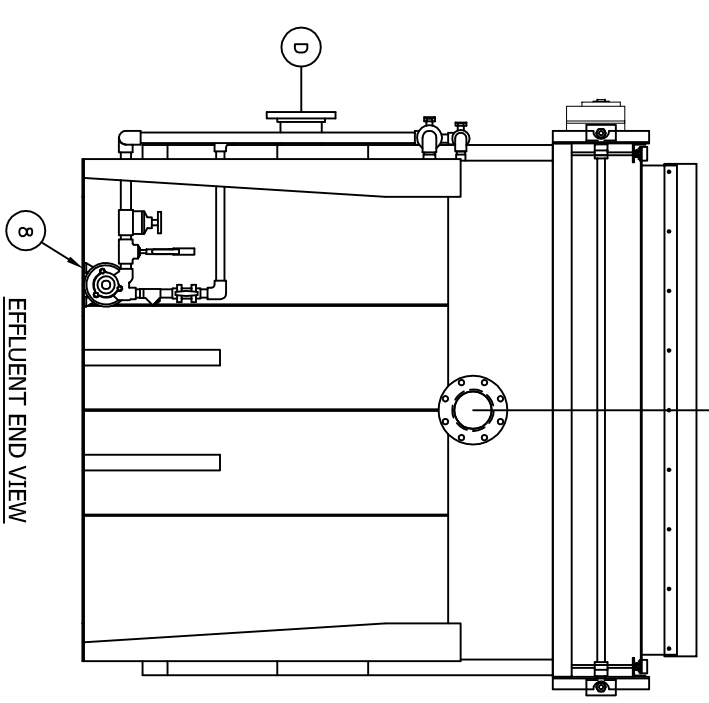
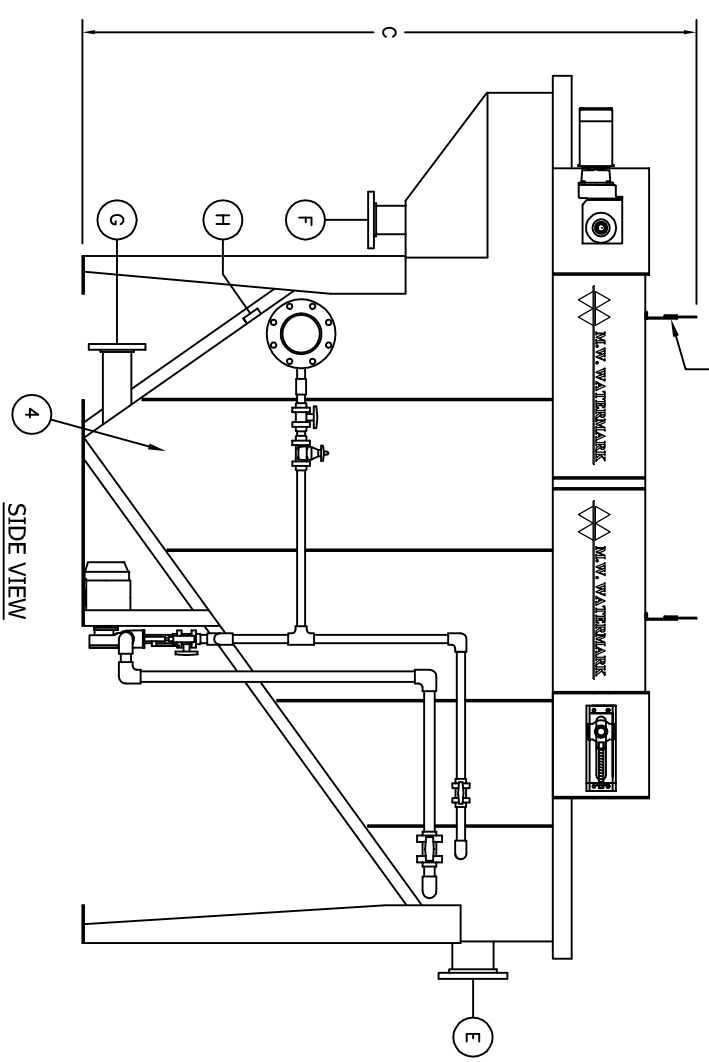
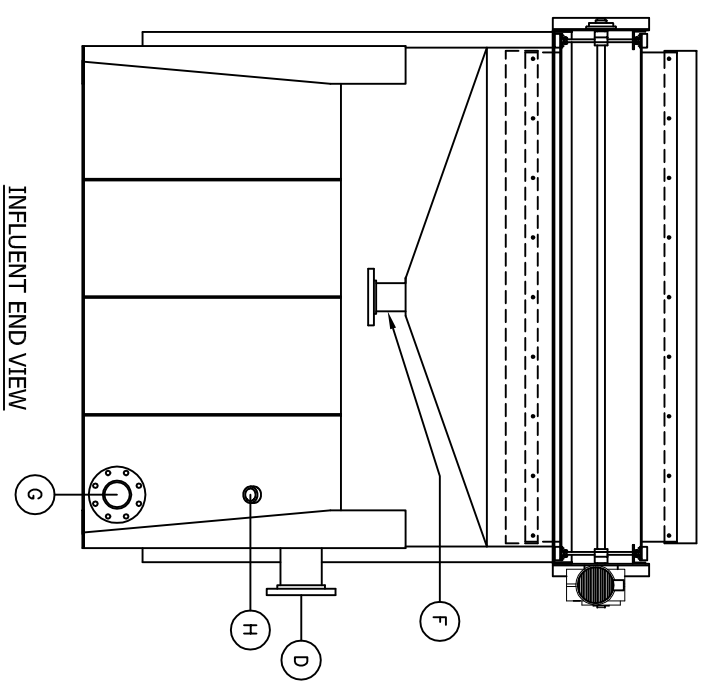
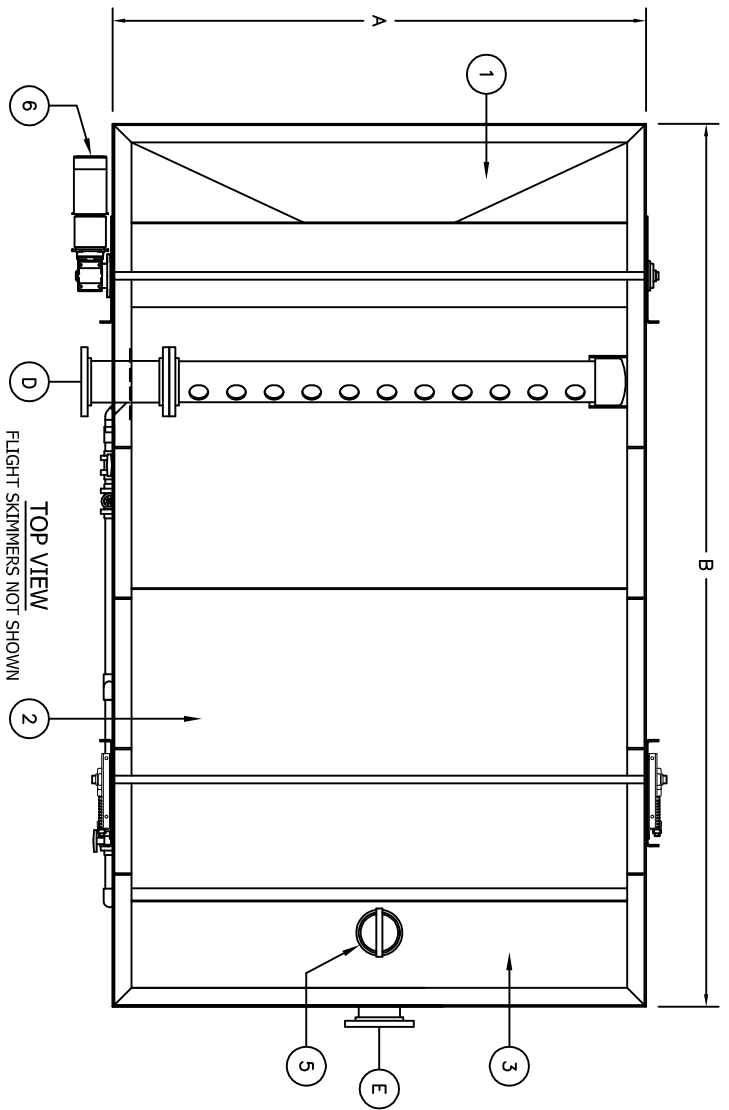


| MODEL | 'A' WIDTH | 'B' LENGTH | 'C' HEIGHT | 'D' INLET Ø | 'E' OUTLET Ø | 'F' FLOAT Ø | 'G' SLUDGE Ø | 'H' DRAIN Ø | APPROX. EMPTY WEIGHT (LBS.) | APPROX. OPERATING WEIGHT (LBS.) | MODEL |
|---------|-----------|------------|------------|-------------|--------------|-------------|--------------|-------------|-----------------------------|---------------------------------|---------|
| DAF-30 | 4'-5" | 11'-9" | 7'-10" | 4" | 4" | 4" | 4" | 2" | 4,000 | 15,000 | DAF-30 |
| DAF-50 | 7'-0" | 11'-9" | 8'-2" | 6" | 6" | 4" | 4" | 2" | 5,500 | 22,000 | DAF-50 |
| DAF-90 | 7'-5" | 17'-0" | 8'-5" | 8" | 8" | 4" | 4" | 2" | 9,000 | 39,000 | DAF-90 |
| DAF-140 | 10'-0" | 19'-0" | 9'-6" | 8" | 8" | 4" | 4" | 2" | 12,000 | 75,000 | DAF-140 |
| DAF-190 | 10'-6" | 23'-0" | 10'-6" | 10" | 10" | 4" | 4" | 2" | 15,000 | 100,000 | DAF-190 |
| DAF-240 | 9'-3" | 33'-0" | 8'-6" | 12" | 12" | 4" | 4" | 2" | 18,000 | 135,000 | DAF-240 |
| DAF-290 | 9'-8" | 36'-0" | 8'-6" | 12" | 12" | 4" | 4" | 2" | 21,000 | 175,000 | DAF-290 |
| DAF-400 | 10'-6" | 45'-0" | 9'-0" | 14" | 14" | 4" | 4" | 2" | 28,000 | 240,000 | DAF-400 |
| DAF-500 | 10'-6" | 55'-0" | 9'-6" | 14" | 14" | 4" | 4" | 2" | 42,000 | 265,000 | DAF-500 |

* MODEL NUMBER DESIGNATES FLOAT SURFACE AREA IN FT². INFORMATION SUBJECT TO CHANGE WITHOUT NOTICE.

| ITEM | DESCRIPTION | MATERIAL | QTY. | PART # |
|------|------------------------------------|----------|------|--------|
| 1 | FLOAT CHAMBER | - | 1 | - |
| 2 | SEPARATION CHAMBER | - | 1 | - |
| 3 | EFFLUENT CHAMBER | - | 1 | - |
| 4 | SLUDGE COLLECTION CHAMBER | - | 1 | - |
| 5 | EFFLUENT WEIR DISC | - | 1 | - |
| 6 | FLOAT SKIMMER ASSEMBLY DRIVE MOTOR | - | 1 | - |
| 7 | ADJUSTABLE FLOAT SKIMMER | - | 1 | - |
| 8 | RECYCLE PUMP | - | 1 | - |



THIRD ANGLE PROJECTION

UNLESS OTHERWISE SPECIFIED ALL DIMENSIONS ARE IN INCHES AND TOLERANCES TO BE AS FOLLOWS:

| | |
|--------------------|----------------|
| FABRICATION | MACHINE |
| .XX ± .06 | .XX ± .03 |
| [X ± Z] | [X ± Y] |
| < ± Z | [X ± Y] |
| | < ± Y |

ALL WELD SYMBOL SIZES ARE MINIMUM DIMENSIONS IN (mm) ARE MILLIMETERS DRAWN PER ASME Y14.5-2009

| REV. | DESCRIPTION | DATE | BY | ECN | REV. | DESCRIPTION | DATE | BY | ECN |
|------|-------------|------|----|-----|------|-------------|------|----|-----|
| | | | | | | | | | |

COMPANY CONFIDENTIAL
THIS DOCUMENT AND ALL INFORMATION CONTAINED HEREIN ARE THE PROPERTY OF M.W. WATERMARK AND/OR ITS CONTINUED HEREIN ARE PROPRIETARY TO M.W. WATERMARK AND ARE SUBMITTED IN CONFIDENCE. THEY ARE NOT TO BE REPRODUCED, COPIED, OR TRANSMITTED IN ANY MANNER WITHOUT THE EXPRESS WRITTEN CONSENT OF M.W. WATERMARK. ANY UNAUTHORIZED REPRODUCTION OR USE OF THIS DOCUMENT IS STRICTLY PROHIBITED. ANY REPRODUCTION OR USE OF THIS DOCUMENT WITHOUT THE EXPRESS WRITTEN CONSENT OF M.W. WATERMARK IS STRICTLY PROHIBITED. ANY REPRODUCTION OR USE OF THIS DOCUMENT WITHOUT THE EXPRESS WRITTEN CONSENT OF M.W. WATERMARK IS STRICTLY PROHIBITED. ANY REPRODUCTION OR USE OF THIS DOCUMENT WITHOUT THE EXPRESS WRITTEN CONSENT OF M.W. WATERMARK IS STRICTLY PROHIBITED. ANY REPRODUCTION OR USE OF THIS DOCUMENT WITHOUT THE EXPRESS WRITTEN CONSENT OF M.W. WATERMARK IS STRICTLY PROHIBITED.

| | | | | | |
|------------------|--------------|---|----------|------|--------|
| DWG BY | DATE | TITLE | MATERIAL | QTY. | PART # |
| MS | 10/13/15 | DISSOLVED AIR FLOTATION (DAF) CLARIFIER | - | 1 | - |
| CHK BY | DATE | SIZING DRAWING | - | 1 | - |
| FILE: | | | | | |
| SALES ORDER NUM: | | | | | |
| SCALE: | 3/4" = 1'-0" | | | | |

CLIENT: _____

M.W. WATERMARK L.L.C.
www.mwwatermark.com

SERIAL NUMBER: _____ DRAWING NUMBER: DAF-55

SHEET 1 OF 1 REV