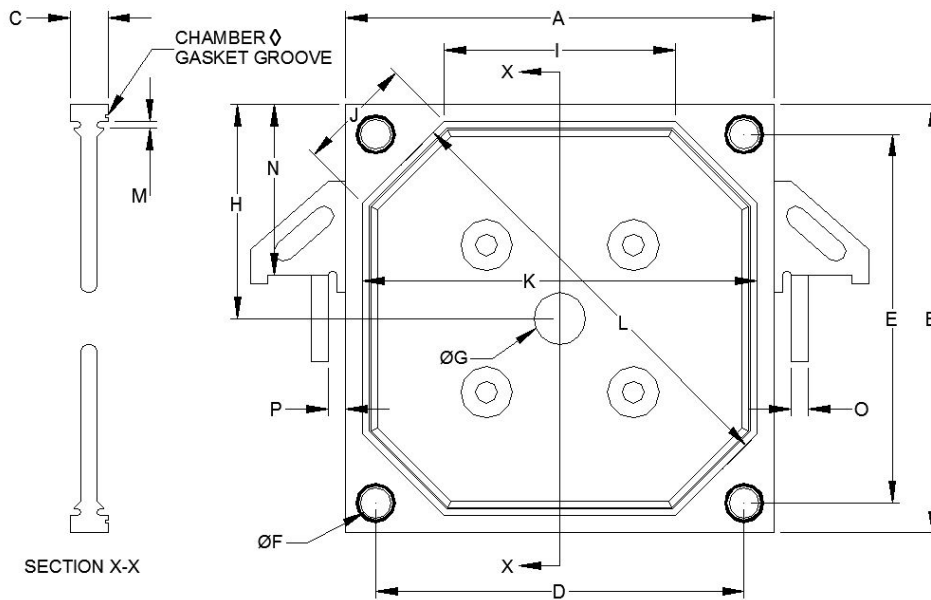




CGR FILTER PLATE QUESTIONNAIRE



Dim	Description	Metric (mm)	Imperial (inch)
A	Plate Width		
B	Plate Height		
C	Plate Thickness		
D	Corner Hole Horizontal Center to Center Distance		
E	Corner Hole Vertical Center to Center Distance		
F	Corner Hole Inside Diameter		
G	Feed Hole Diameter Select One: <input type="checkbox"/> Corner <input type="checkbox"/> Center		
H	Feed Hole Distance to Top of Plate		
I	Cloth Groove Horizontal Segment Outside Edge to Outside Edge Distance		
J	Cloth Groove Diagonal Segment Outside Edge to Outside Edge Distance		
K	Cloth Groove Outside Edge to Outside Edge Distance		
L	Diagonal Cloth Groove Outside Edge to Outside Edge Distance		
M	Cloth Groove Width		
N	Handle Distance to Top of Plate		
O	Side Rail Thickness		
P	Side Rail Clearance		

Please enter contact information below:	
Company:	
Contact Name:	
Telephone:	
Email:	
Address:	
City / State / ZIP:	

Enter filter press information below:		
T	Press Make:	
U	Feed Pressure:	
V	Cake Thickness:	
W	Gasketing†:	
X	Porting†:	
Z	Fluid Temp (°F):	

‡ Filter plate gasketing is either same-side or opposite-side. Same-side gasketing has the chamber gasketing on the same side as the corner hole o-rings. Opposite-side gasketing has the chamber gasket on the opposite side of the plate from the corner hole o-rings.

† Filter plate porting as viewed from the manifold end of the filter press. Normally indicated by either a 1-button or 3-button marking on the side of the plate.

◊ Opposite-side gasketing shown.