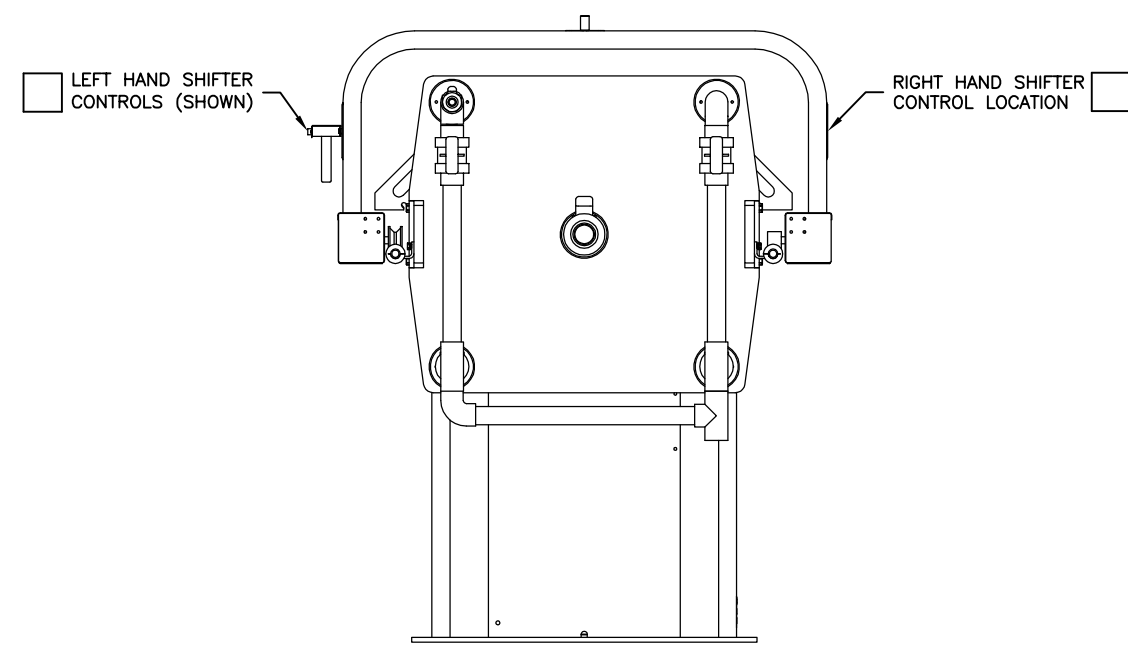


HEAD END VIEW WITHOUT SHIFTER



HEAD END VIEW WITH SHIFTER

Please enter your Contact Information below:

Contact Name:	
Email Address:	
Company:	
Address:	
City/State/Zip:	
Telephone:	

NOTES:

- PLEASE CHECK ONE BOX FOR PRESS CONTROL LOCATION AND ONE BOX FOR SHIFTER CONTROL LOCATION (IF APPLICABLE).
- IF DIFFERENT LOCATIONS ARE REQUIRED FOR PRESS DISCHARGE OR AIR BLOW INLET, CONTACT MW WATERMARK.
- THIS DRAWING IS USED FOR INTERNAL DOCUMENT NUMBER DOC00045.

**THIRD ANGLE PROJECTION**  
  
 ALL WELD SYMBOL SIZES ARE MINIMUM REQUIRED.  
 DIMENSIONS IN [mm] ARE MILLIMETERS.  
 DO NOT SCALE DRAWING.  
 DRAWN PER ASME Y14.5-2009

UNLESS OTHERWISE SPECIFIED ALL DIMENSIONS ARE IN INCHES AND TOLERANCES TO BE AS FOLLOWS.

<b>FABRICATION</b>	<b>MACHINE</b>
.XX ± .06	.XX ± .03
[X ± 2]	.XXX ± .005
< ± 2'	[X ± 1]
	[X ± .1]
	< ± 1'

REV	DESCRIPTION	DATE	BY	ECN	REV	DESCRIPTION	DATE	BY	ECN

ITEM	QTY	PART NUMBER	DESCRIPTION	REF NUM

DWG BY	DATE	TITLE	
DRL	07/14/11	DRAWING - FILTER PRESS CONTROL LOCATION CHECK SHEET	
CKD BY	DATE	CLIENT	
FILE:	SALES ORDER NUM:	 www.mwwatermark.com	
SCALE:	NTS		
SERIAL NUMBER	DRAWING NUMBER	SHEET	REV
	40007772	1 OF 1	0

COMPANY CONFIDENTIAL  
 THIS DOCUMENT AND ALL INFORMATION CONTAINED HEREIN ARE THE PROPERTY OF MW WATERMARK AND/OR ITS AFFILIATES. THE DESIGN CONCEPTS AND INFORMATION CONTAINED HEREIN ARE PROPRIETARY TO MW WATERMARK AND ARE SUBMITTED IN CONFIDENCE. THEY ARE NOT TRANSFERABLE AND MUST BE USED ONLY FOR THE PURPOSE FOR WHICH THE DOCUMENT IS EXPRESSLY LOANED. THEY MUST NOT BE DISCLOSED, REPRODUCED, LOANED OR USED IN ANY OTHER MANNER WITHOUT THE EXPRESS WRITTEN CONSENT OF MW WATERMARK. IN NO EVENT SHALL THEY BE USED IN ANY MANNER DETRIMENTAL TO THE INTEREST OF MW WATERMARK. ALL PATENT RIGHTS ARE RESERVED. UPON THE DEMAND OF MW WATERMARK, THIS DOCUMENT, ALONG WITH ALL COPIES AND EXTRACTS, AND ALL RELATED NOTES AND ANALYSES, MUST BE RETURNED TO MW WATERMARK OR DESTROYED AS INSTRUCTED BY MW WATERMARK. ACCEPTANCE OF THE DELIVERY OF THIS DOCUMENT CONSTITUTES AGREEMENT TO THESE TERMS AND CONDITIONS.