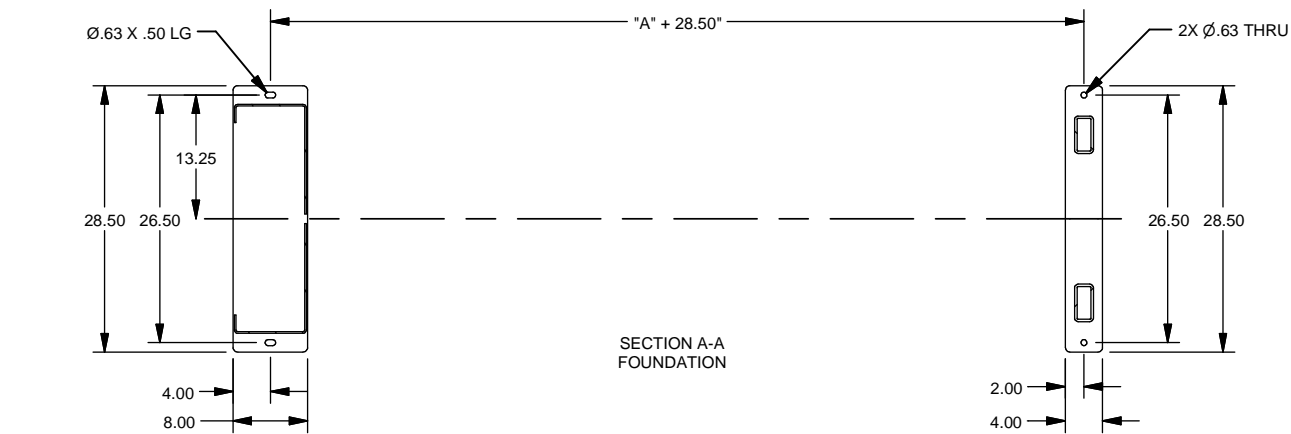
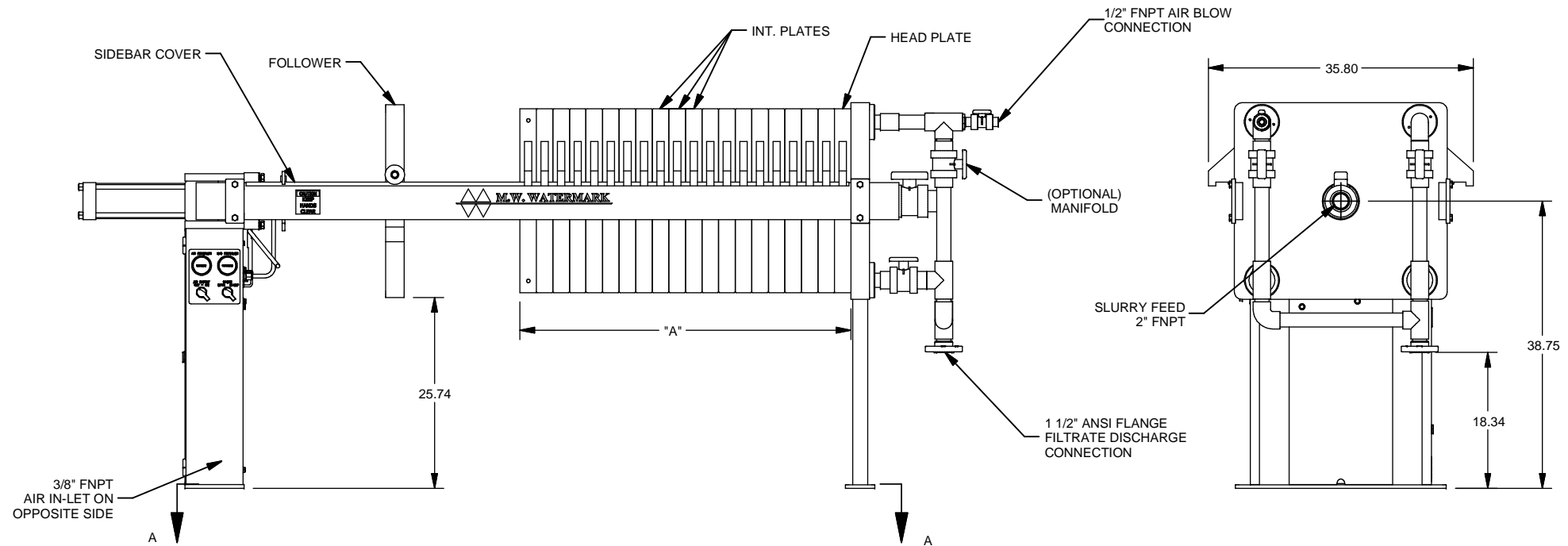
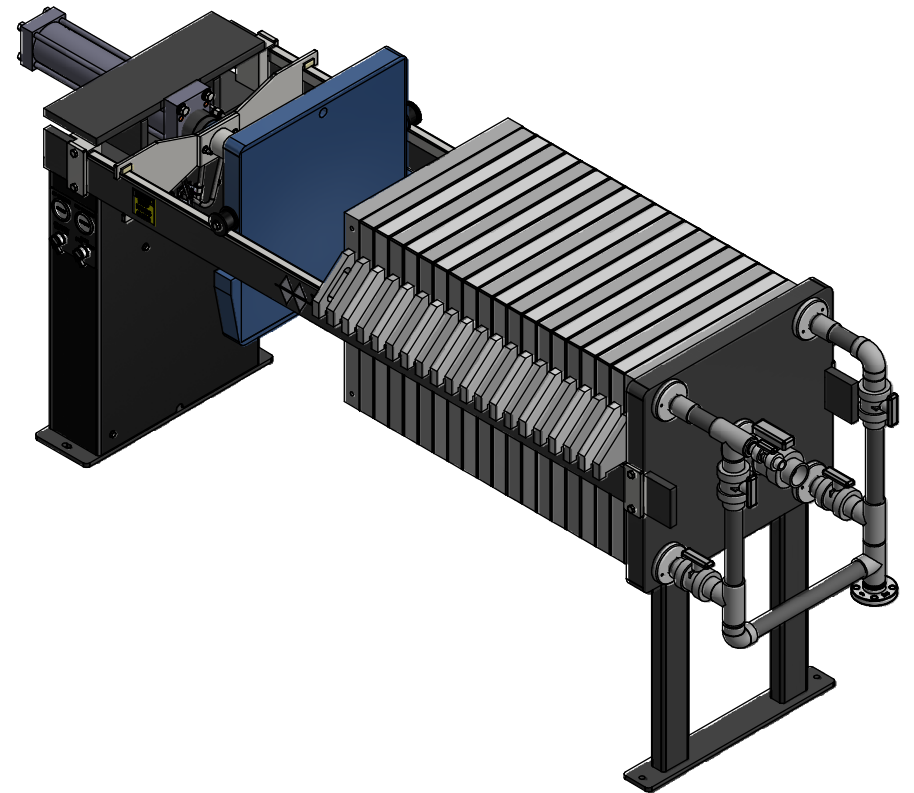
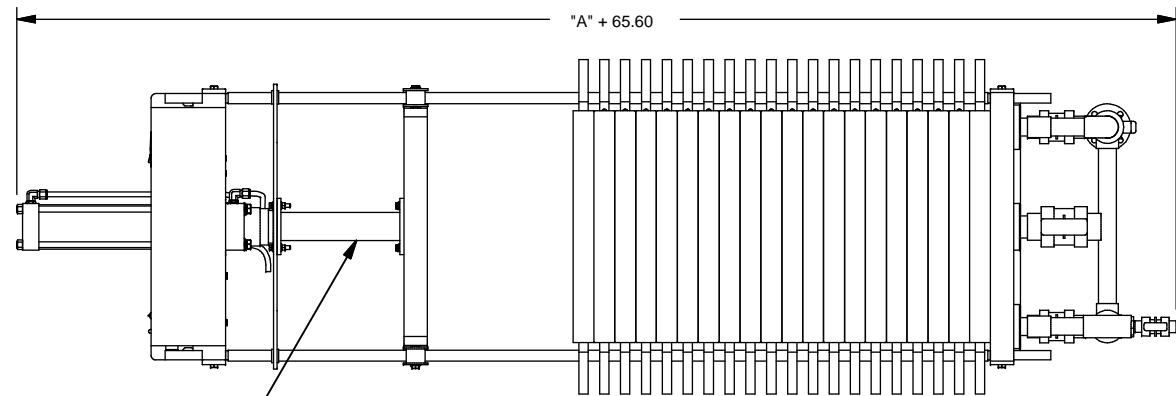
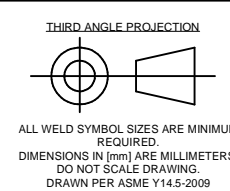


8 7 6 5 4 3 2 1



**DRAWING FOR REFERENCE ONLY**



UNLESS OTHERWISE SPECIFIED ALL DIMENSIONS ARE IN INCHES AND TOLERANCES TO BE AS FOLLOWS.

FABRICATION	MACHINE
.XX ± .06	.XX ± .03
[X ± 2]	.XXX ± .005
< ± 2	[X ± 1]
	[X ± .1]
	< ± 1"

REV	DESCRIPTION	DATE	BY	ECN	REV	DESCRIPTION	DATE	BY	ECN
					A	UPDATED CONTROLS	09/29/14	DAM	

COMPANY CONFIDENTIAL  
THIS DOCUMENT AND ALL INFORMATION CONTAINED HEREIN ARE THE PROPERTY OF M.W. WATERMARK AND/OR ITS AFFILIATES. THE DESIGN CONCEPTS AND INFORMATION CONTAINED HEREIN ARE PROPRIETARY TO M.W. WATERMARK AND ARE SUBMITTED IN CONFIDENCE. THEY ARE NOT TRANSFERABLE AND MUST BE USED ONLY FOR THE PURPOSE FOR WHICH THE DOCUMENT IS EXPRESSLY LOANED. THEY MUST NOT BE DISCLOSED, REPRODUCED, LOANED OR USED IN ANY OTHER MANNER WITHOUT THE EXPRESS WRITTEN CONSENT OF M.W. WATERMARK. IN NO EVENT SHALL THEY BE USED IN ANY MANNER DETRIMENTAL TO THE INTEREST OF M.W. WATERMARK. ALL PATENT RIGHTS ARE RESERVED. UPON THE DEMAND OF M.W. WATERMARK, THIS DOCUMENT, ALONG WITH ALL COPIES AND EXTRACTS, AND ALL RELATED NOTES AND ANALYSES, MUST BE RETURNED TO M.W. WATERMARK OR DESTROYED, AS INSTRUCTED BY M.W. WATERMARK. ACCEPTANCE OF THE DELIVERY OF THIS DOCUMENT CONSTITUTES AGREEMENT TO THESE TERMS AND CONDITIONS.

DWG BY	MRH	DATE	3/2/2011
CKD BY		DATE	
FILE:	40007937.idw		
SALES ORDER NUM.			
SCALE:	NONE		

TITLE				DRAWING SPECIFICATIONS FOR FP630-A			
CLIENT				M.W. WATERMARK L.L.C. www.mwwatermark.com			
SERIAL NUMBER	DRAWING NUMBER	SHEET	REV	SERIAL NUMBER	DRAWING NUMBER	SHEET	REV
	40007937	1 OF 1	A		40007937	1 OF 1	A